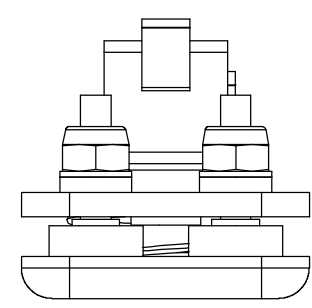
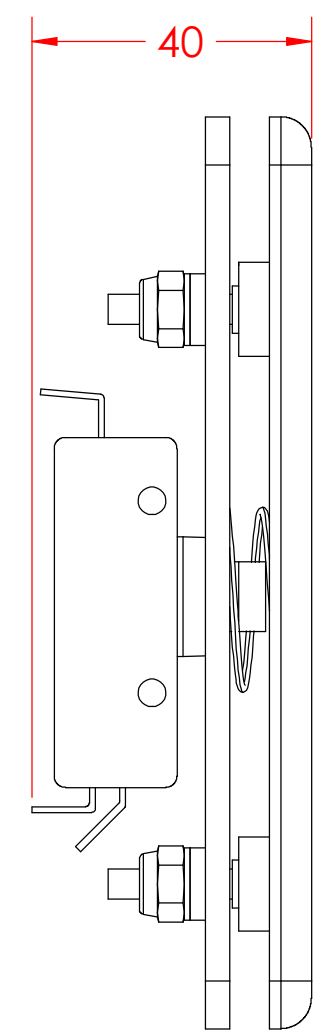
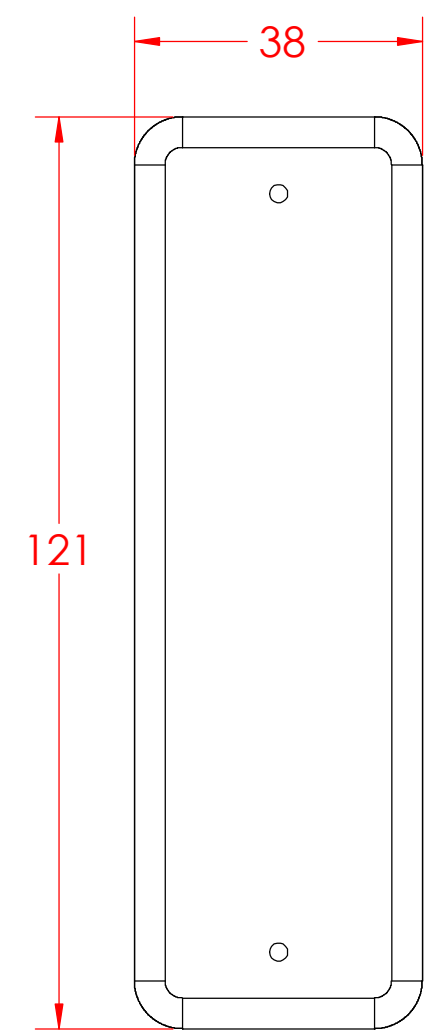


H G F E D C B A

NOTE 1 : All dimensions must be read in millimeters




Part Volume : mm<sup>3</sup> - Part Weight : gr

THIS DRAWING IS THE PROPERTY OF BEA AND MAY NOT BE REPRODUCED WITHOUT WRITTEN AGREEMENT

**MODIFICATIONS LIST**

Date :	By :	Description :	Ver. :	Rev. :
-	-	-	-	-
-	-	-	-	-
-	-	-	-	-
-	-	-	-	-
-	-	-	-	-

 <b>A HALMA COMPANY</b> WWW.BEAINC.COM	<b>PROD. NAME : PP PBJ_DIM</b>					DRAWER : AG	
	<b>TITLE : Product Drawing</b>					DATE : 10/16/12	
	GENERAL TOLERANCE : -					VERIFIED	APPROVED
	MATERIAL : -					TREATMENT : -	
Objet Ver.Obj Doc. Rev.Doc. Scale Size					PAGE: 1 / 1		
- . - . - . -					NTS B		

H G F E D C B A

PDM Project : - File Name : PP PBJ\_DIM